

## Standard Preparation Cupboard with 2 Hinged Door - no top, 700mm

ITEM # \_\_\_\_\_

MODEL # \_\_\_\_\_

NAME # \_\_\_\_\_

SIS # \_\_\_\_\_

AIA # \_\_\_\_\_



133175 (RAU7002HD)

 Cupboard with 2 hinged  
door - no Top, 700mm

### Short Form Specification

#### Item No.

Made entirely from stainless steel. Inner welded frame in stainless steel.  
 No top unit for integrated solutions. Base panel in 304 AISI stainless steel  
 and height-adjustable intermediate shelf. 2 Sound-deadened hinged doors.  
 Mounted on feet, adjustable in height.

### Main Features

- Ideal for central positioning in the kitchen, either as island installation or back to back.
- Handles in stainless steel for better hygiene and reliability.
- Sturdiness, stability and reliability of table accurately tested.

### Construction

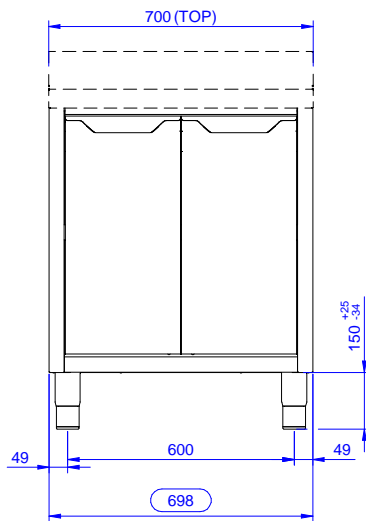
- Reinforced side and base panel in 304 AISI stainless steel.
- 304 AISI stainless steel feet, 200 mm high and 54 mm in diameter, adjustable by -50/+30 mm.
- Inner welded frame in stainless steel to guarantee superior strength and stability.
- Equipped with intermediate shelf which can be positioned at three different heights.
- Sturdy sound-deadened hinged doors on tracks located flush to the front of the frame.
- Hinged door with sound deadening internal panels, fitted with 304 AISI stainless steel hinges on the inner sides.
- 100 mm upstand with 10 mm radiused corner and 13 mm deep, designed to be used against a wall.
- Without top for integrated solutions.

### Optional Accessories

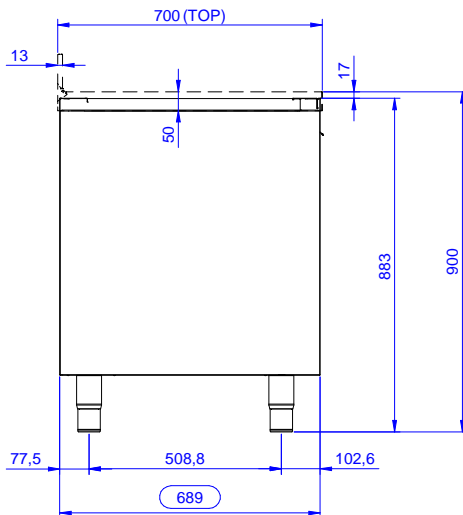
- Stainless steel front kicking strip PNC 133205
- Side kicking strip, 700 mm PNC 133206

APPROVAL: \_\_\_\_\_

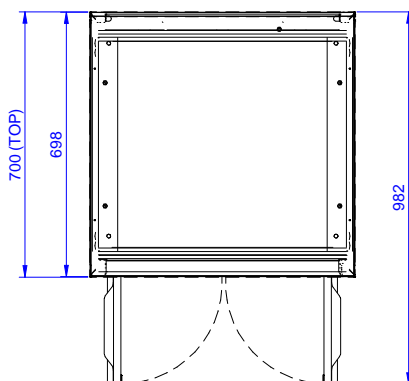
Front



Side



Top


**Key Information:**

<b>Cabinet width:</b>		
133175 (RAU7002HD)	645 mm	
<b>Cabinet depth:</b>	645 mm	
<b>Cabinet height:</b>	610 mm	
<b>External dimensions, Width:</b>	689 mm	
<b>External dimensions, Depth:</b>	700 mm	
<b>External dimensions, Height:</b>	883 mm	
<b>Number and type of doors:</b>	2 Hinged	
<b>Net weight:</b>	38 kg	